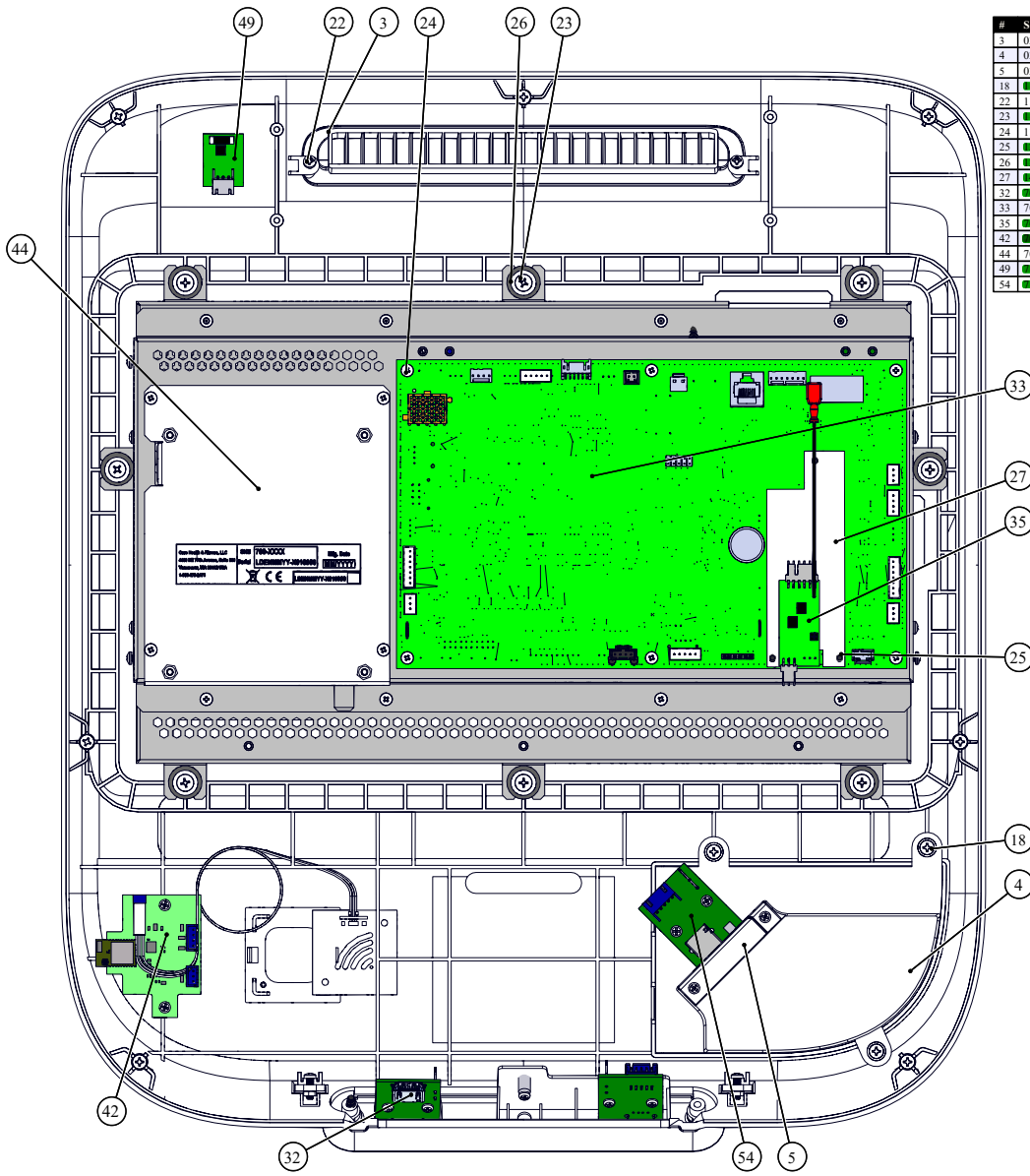


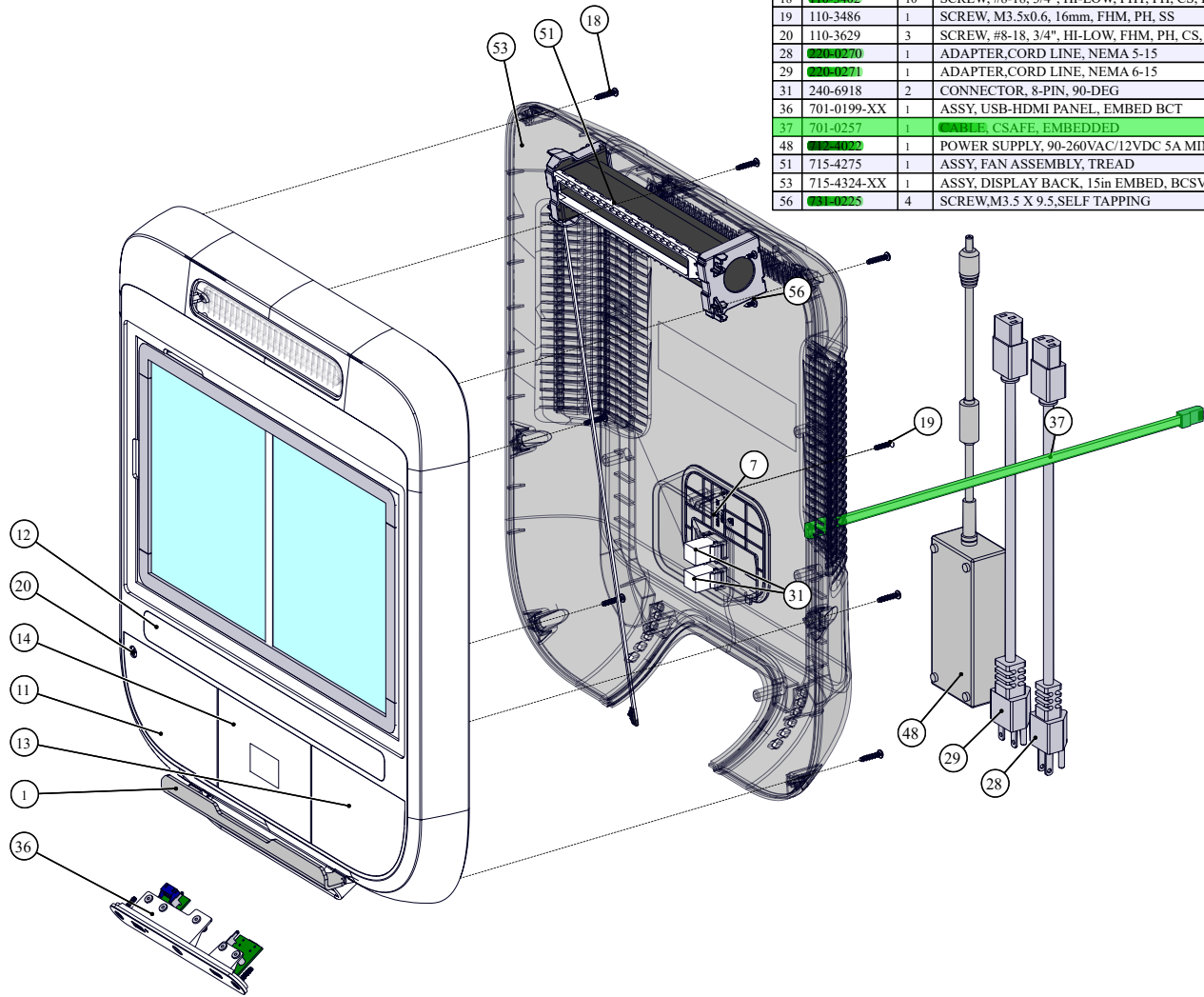
#	SKU	Qty	Description
1	020-7440-XX	1	BRACKET, MAG RACK
2	020-7442-XX	1	PLASTIC, DISPLAY, USB-HDMI PANEL
4	020-7932	1	PLASTIC, CAVITY, RFID, DISPLAY
6	020-7943	1	Plastic, 15in Display, COVER, RFID
10	050-2378	1	STICKER, DISPLAY, USB-HEADPHONE-HDMI PLACARD
15	010-3148	2	NUT, M3, HEXAGON, ISO4762
17	110-3229	2	Screw, M3x0.5, 10mm, PHM, PH, CS, ZI
20	110-3629	3	SCREW, #8-18, 3/4", HI-LOW, FHM, PH, CS, E-COAT
23	010-4090	8	SCREW, #8-18, 0.625in, HI-LO, PHT, PH, AS, ZP
26	020-3307	8	WASHER, M4, 4.3mm I.D. X 12mm O.D., ISO 7089
41	701-0314	1	MFA CHIP, APPLE, EUROTAS
42	020-3315	1	ASSY, WAHOO BOARD, NFC ANT
49	015-3864	1	ASSY, WIRELESS HR, POLAR, 92cm L.R.



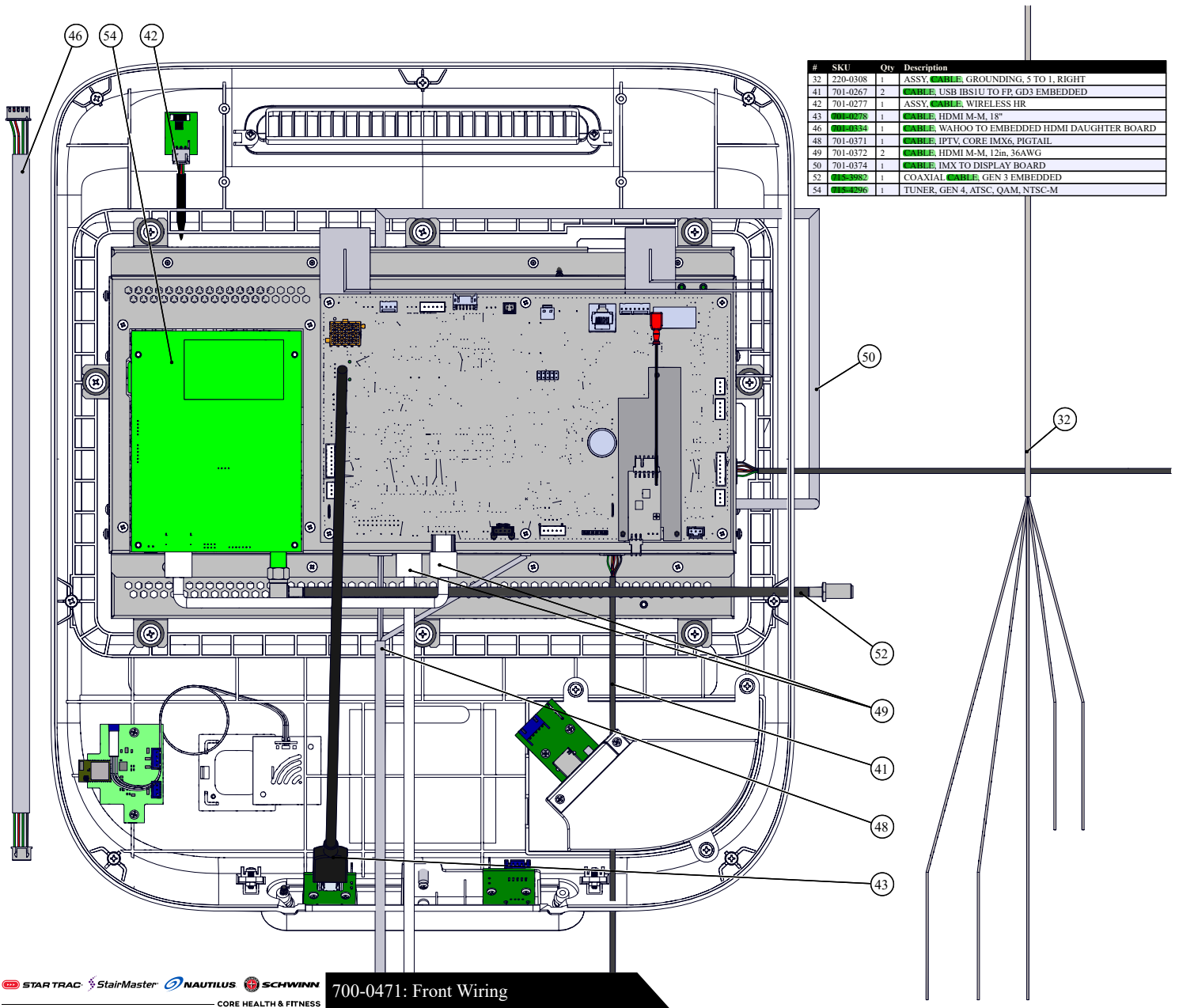
#	SKU	Qty	Description
3	020-7885	1	LOUVER, FAN, DISPLAY
4	020-7932	1	PLASTIC, CAVITY, RFID, DISPLAY
5	020-7934	1	PLASTIC, USB COVER, RFID
18	000-0402	10	SCREW, #8-18, 3/4", HI-LOW, PHT, PH, CS, BO
22	110-4084	2	SCREW, M3.5 X 1.29, 6mm, HI-LO, PHT, PH, AS, ZP
23	000-0090	8	SCREW, #8-18, 0.625in, HI-LO, PHT, PH, AS, ZP
24	110-4097	45	SCREW, M3, 6mm, PHM, PH, CS, ZP
25	000-0244	3	STANDOFF, 1/8" DIA X 3/16" NYLON
26	000-0307	8	WASHER, M4, 4.3mm I.D. X 12mm O.D., ISO 7089
27	000-0330	1	SUPPORT, PLATE, HR CONTACT BOARD
32	000-0017	1	ASSY, PCB, HDMI CONNECTOR
33	701-0064-BCSV15	1	PCB, BRAIN BOARD, CBSIU, BCSV, 15in EMBED
35	000-0178	1	PCBA, SALUTRON STA84004-1
42	000-0315	1	ASSY, WAHOO BOARD, NFC ANT
44	701-0355	1	COVER, TUNER ACCESS
49	000-0064	1	ASSY, WIRELESS HR, POLAR, 92cm L.R.
54	000-0087	2	ASSY, USB BOARD

701-0257

#	SKU	Qty	Description
1	020-7440-XX	1	BRACKET, MAG RACK
7	020-7944-XX	1	PLASTIC, 15 INCH DISPLAY, COVER, ECOFIT
11	050-5607	1	LABEL, BLANK RFID, 15in EMBED, GFC/BCS
12	050-5609	1	LABEL, WARNING, 15in EMBED, GFC/BCS
13	050-5610	1	LABEL, APPLE NFC, 15in EMBED, GFC/BCS
14	050-5612	1	KEYPAD, START, 15in EMBED, BCS
18	810-3402	10	SCREW, #8-18, 3/4", HI-LOW, PHT, PH, CS, BO
19	110-3486	1	SCREW, M3.5x0.6, 16mm, FHM, PH, SS
20	110-3629	3	SCREW, #8-18, 3/4", HI-LOW, FHM, PH, CS, E-COAT
28	020-0270	1	ADAPTER, CORD LINE, NEMA 5-15
29	020-0271	1	ADAPTER, CORD LINE, NEMA 6-15
31	240-6918	2	CONNECTOR, 8-PIN, 90-DEG
36	701-0199-XX	1	ASSY, USB-HDMI PANEL, EMBED BCT
37	701-0257	1	CABLE, CSAFE, EMBEDDED
48	020-4020	1	POWER SUPPLY, 90-260VAC/12VDC 5A MIN
51	715-4275	1	ASSY, FAN ASSEMBLY, TREAD
53	715-4324-XX	1	ASSY, DISPLAY BACK, 15in EMBED, BCSV
56	020-0225	4	SCREW, M3.5 X 9.5, SELF TAPPING



700-0471: Plastics



700-0471: Front Wiring

CORE HEALTH & FITNESS